

Product overview

The CWP62A is a highly integrated, high-efficiency power amplifier for use in high power WiFi 6E wireless local area networks (WLAN) systems.

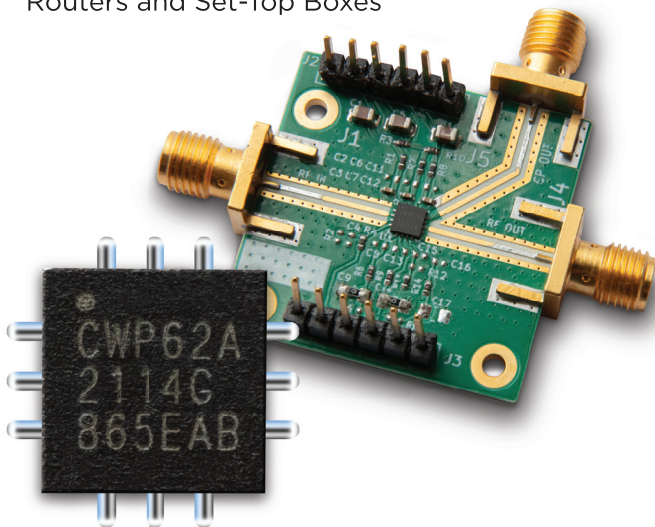
Designed using Coolstar's proprietary technology, the CWP62A performance is focused on a balance of efficiency and linear power that increases the range of connection.

The integrated input and output 50Ω match minimize layout area in the customer's application, reduces the bill of materials and manufacturability cost.

The CWP62A comes in small QFN (16-pin, 3.0 x 3.0 x 0.55 mm) package.

Applications

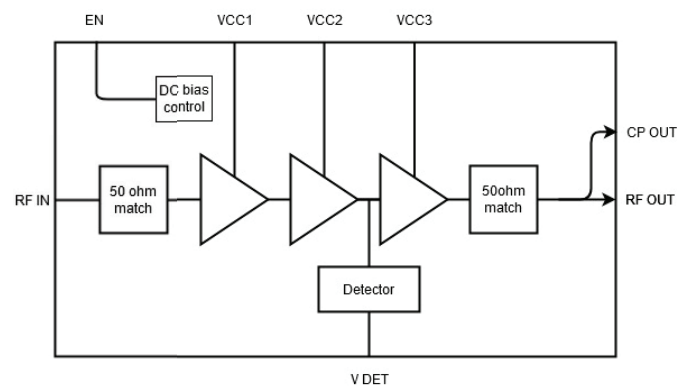
- IEEE802.11n/ac/ax WiFi Applications
- Indoor and outdoor WiFi 6E networking systems
- Routers and Set-Top Boxes"



Features

- Fully Integrated 802.11 Power Amplifier
- 5.925 - 7.125GHz frequency ranges
- 21dBm 802.11ax 160MHz MCS11 at -45dB EVM
- 24dBm 802.11ac 80MHz MCS8 at -35dB EVM
- High efficiency, consumes 1.5 Watt at 25dBm
- Input and Output matched to 50Ω
- Gain = 30dB
- Excellent dynamic performance
- Low quiescent power dissipation
- 3.0 x 3.0 x 0.55 mm 16pin QFN Package
- EU RoHS Compliant, Pb Free
- Integrated power detector and coupler

Functional block diagram



Ordering Information

Manufacturing Part Number **CWP62A**

Evaluation Kit Part Number **CWP62A-EVK1**